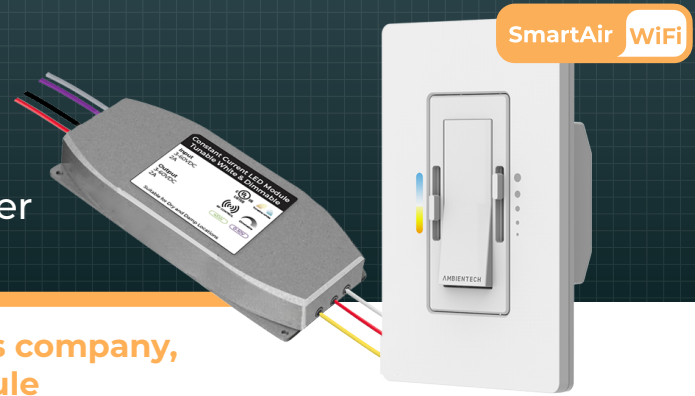


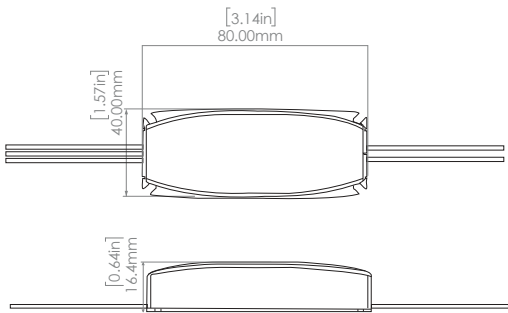
SleekTone CC

Transform 0-10V Constant Current LED Driver into Tunable White Control System



AmbienTech, a New York Based Lighting Controls company, announced the launch of The SleekTone CC Module

The SleekTone-CC is a compact control module that allows connection of any third party LED Driver to AmbienTech Tunable White control system. It is available in 30W, 45W and 60W versions. With an input range of 4-60VDC it is compatible with any standard constant current 0-10V LED Driver. The SleekTone module utilizes a wireless 433MHz RF signal for room level control using the DimTone dual slider wall switch. The DimTone wall switch is able to



control multiple modules and offers app and voice control (WIFI+BLE). Eliminating the need of running 0-10V wires in new installations. The Modules small form factor enables lighting OEMs to easily implement AmbienTech's control system in to LED fixtures without the need for design modifications. The SleekTone-CC provides smooth, flicker-free color temperature control using PWM at 2400Hz making it compliant to IEEE and Title 24 Flicker Requirements. This line of modules offers a status LED indicator and physical buttons to easily pair to our wall switches , app and voice control. In addition, the buttons are used to configure dimming and CCT mixing curves. With a wireless advantage over DMX, Dali and 0-10V, the SleekTone reduces wiring labor time and cost.

Features & Benefits

- Enables Tunable White Control with any Constant Current LED Driver
- Compatible with AmbienTech's DimTone Wall Switch, SmartAir App and Voice Control
- Small Form Factor Enables Lighting OEMs to Easily Implement Into Fixtures Available in 30W, 45W and 60W Versions
- LED Indicator and Physical Buttons to Easily Pair, Configure Dimming and CCT Mixing Curves
- PWM at 2400Hz for flicker-free CCT Control
- Reduces wiring cost vs DMX, Dali, and 0-10V
- Current Limit Overload Protection

